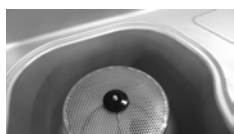




**Standard Features**

- Front & side loading hoodtype dishwasher
- Mechanical Control
- Clearance 420 mm
- Basket size 500 x 500 mm
- Built-in Water softener version
- 2 washing cycles (1- 3 min)
- Rack/h 60 - 18
- Temperature wash 85°C / rinse 60°C
- 1.0 hp wash pump
- Low water consumption 2.8 liters
- Simple to use
- Wide & clear buttons
- Digital display
- Single insulated hood & panels
- Separate double washing & rinse
- Interior / exterior INOX 304
- Reinforced door handle
- Robust structure
- Easy access to service



**Optionals and Accessories**

- Inox stainless steel wash arms
- Inox superior double filter
- Detergent peristaltic pump
- Rinse aid peristaltic pump
- Rinse pressure pump
- Automatic self cleaning drain pump

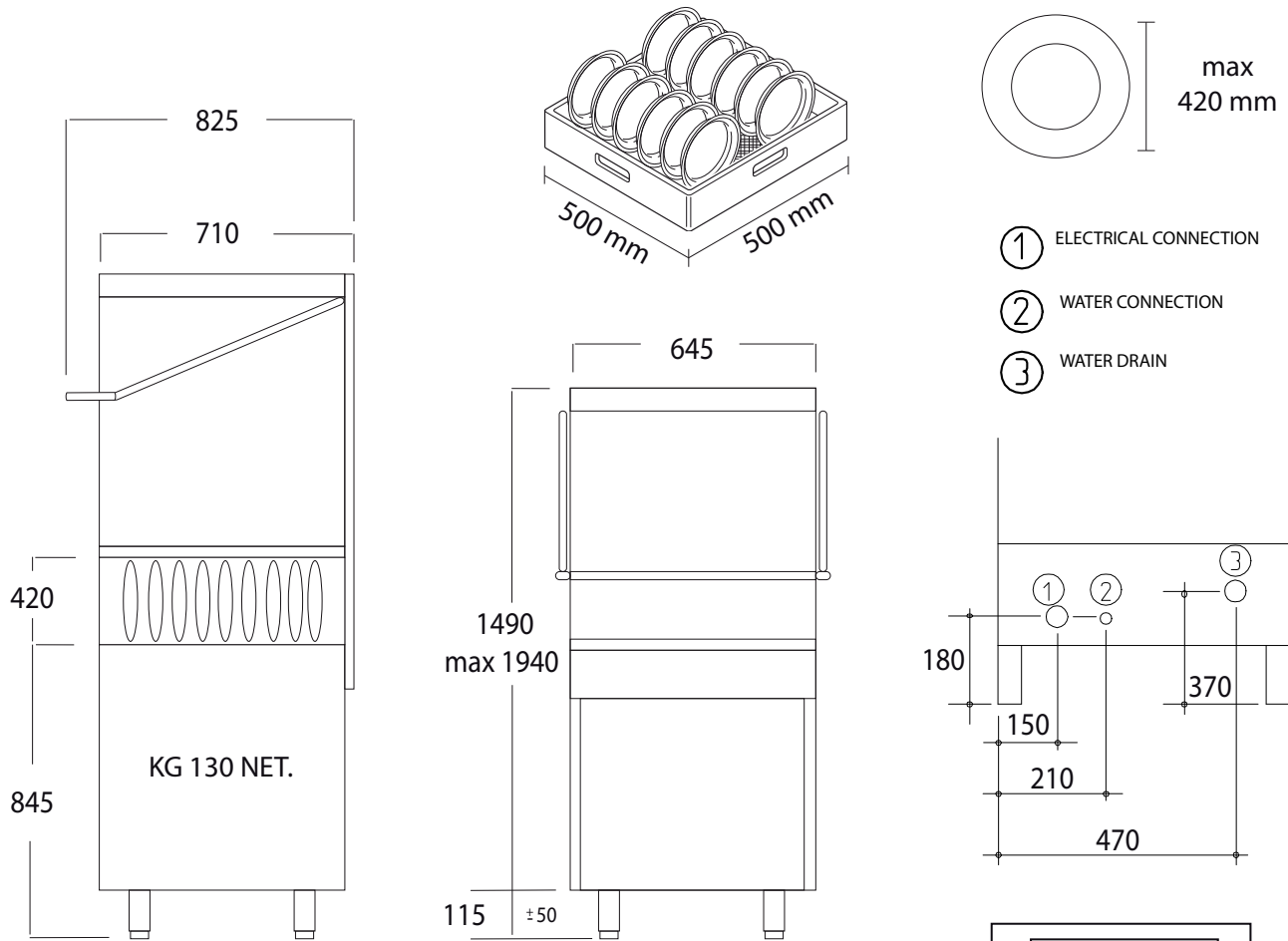
**По вопросам продаж и поддержки обращайтесь:**

Архангельск (8182)63-90-72  
 Астана +7(7172)727-132  
 Астрахань (8512)99-46-04  
 Барнаул (3852)73-04-60  
 Белгород (4722)40-23-64  
 Брянск (4832)59-03-52  
 Владивосток (423)249-28-31  
 Волгоград (844)278-03-48  
 Вологда (8172)26-41-59  
 Воронеж (473)204-51-73  
 Екатеринбург (343)384-55-89  
 Иваново (4932)77-34-06  
 Ижевск (3412)26-03-58  
 Иркутск (395) 279-98-46  
 Киргизия (996)312-96-26-47

Казань (843)206-01-48  
 Калининград (4012)72-03-81  
 Калуга (4842)92-23-67  
 Кемерово (3842)65-04-62  
 Киров (8332)68-02-04  
 Краснодар (861)203-40-90  
 Красноярск (391)204-63-61  
 Курск (4712)77-13-04  
 Липецк (4742)52-20-81  
 Магнитогорск (3519)55-03-13  
 Москва (495)268-04-70  
 Мурманск (8152)59-64-93  
 Набережные Челны (8552)20-53-41  
 Нижний Новгород (831)429-08-12  
 Казахстан (772)734-952-31

Новокузнецк (3843)20-46-81  
 Новосибирск (383)227-86-73  
 Омск (3812)21-46-40  
 Орел (4862)44-53-42  
 Оренбург (3532)37-68-04  
 Пенза (8412)22-31-16  
 Пермь (342)205-81-47  
 Ростов-на-Дону (863)308-18-15  
 Рязань (4912)46-61-64  
 Самара (846)206-03-16  
 Санкт-Петербург (812)309-46-40  
 Саратов (845)249-38-78  
 Севастополь (8692)22-31-93  
 Симферополь (3652)67-13-56  
 Таджикистан (992)427-82-92-69

Смоленск (4812)29-41-54  
 Сочи (862)225-72-31  
 Ставрополь (8652)20-65-13  
 Сургут (3462)77-98-35  
 Тверь (4822)63-31-35  
 Томск (3822)98-41-53  
 Тула (4872)74-02-29  
 Тюмень (3452)66-21-18  
 Ульяновск (8422)24-23-59  
 Уфа (347)229-48-12  
 Хабаровск (4212)92-98-04  
 Челябинск (351)202-03-61  
 Череповец (8202)49-02-64  
 Ярославль (4852)69-52-93



**TECHNICAL SPECIFICATION**

\*measures expressed in mm

Model/Modello	ECO1000
Interface Type/Interfaccia	Mechanical
Clearance/Passaggio Utile	420 mm
Cycle/Ciclo	1 - 3 min
Rinse Aid Dispenser/Dosatore Brillantante	✓
Detergent Dispenser/Dosatore Detergente	•
Drain Pump/Pompa Scarico	•
Thermostop System/Sistema Thermostop	n/a
Temperature Display/Display Temperatura	n/a
Smart Self Diagnostics/Diagnostica Smart	n/a
Built-in Water softener/Addolcitore Incorp.	✓
Tank Capacity/Capacità Vasca	20 lt.
Boiler Capacity/Capacità Boiler	10 lt.
Tank Heater/Resistenza Vasca	4 kW
Boiler Heater/Resistenza Boiler	9 - 4 kW
Power Supply/Alimentazione Elettrica	400V/3N - 230V/1N
Washing Pump/Pompa Lavaggio	0,75 kW/1hp
Max. Power Rating/Assorbimento Max.	14.2 Amp/9,8 kW 400V/3N 21 Amp/4,8 kW 230V/1N
Inlet Pressure/Pressione di Alimentazione	2 ÷ 4 bar
Weight/Peso	130 Kg
Water Consumption/Consumo Acqua	2,8 lt./cycle **
Standard Equipment/Dotazione Standard	2 Racks (Univ+Plate) 1 Cutlery Cont.
Hour Production/Produzione Oraria	60 - 18 racks/h * 1080 - 324 plates/h *

\* 55°C inlet water temp. ✓ included/incluso n/a not available  
\*\* 2 bars inlet water pressure. • optional

